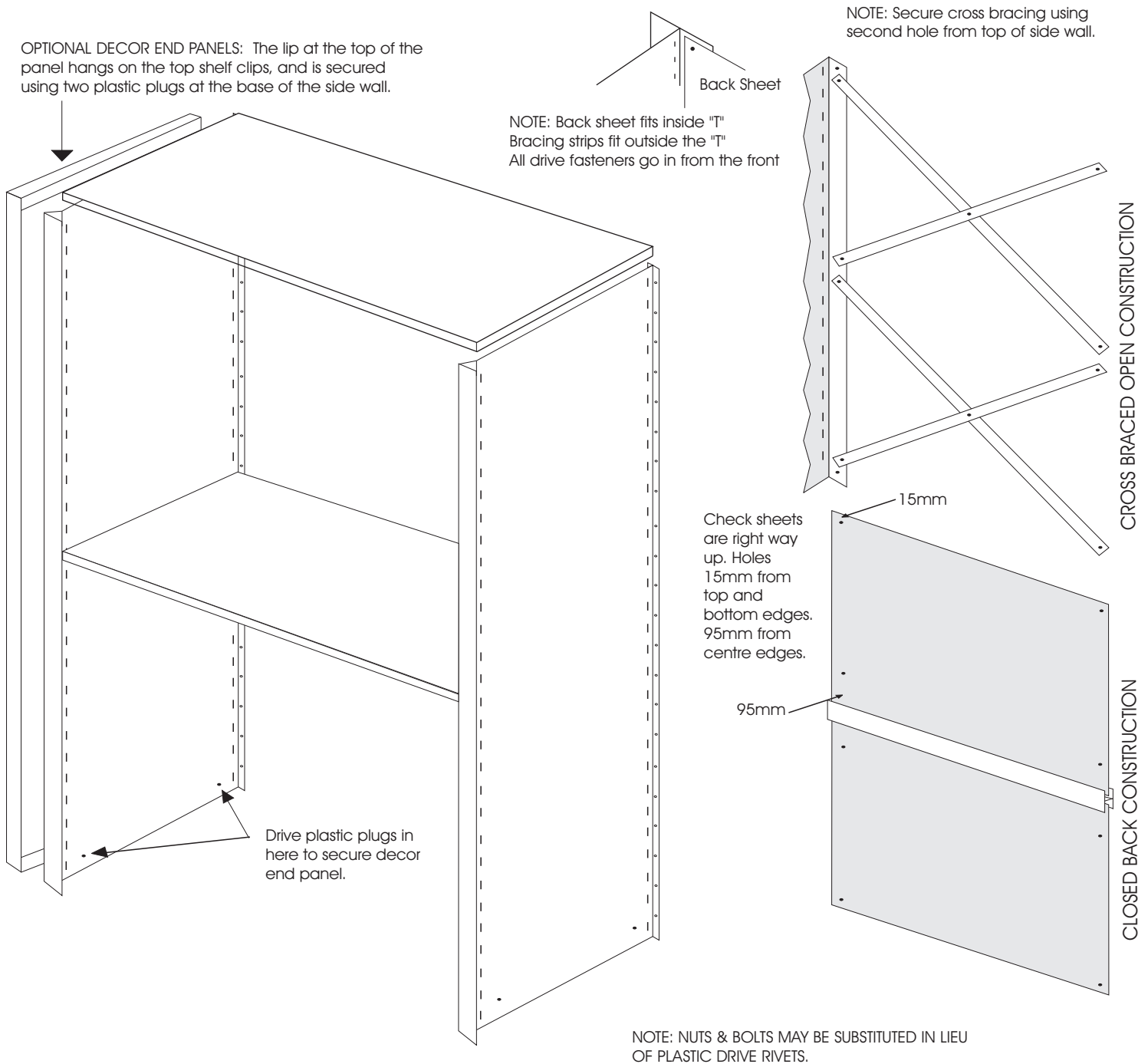


DELTA EDGE SHELVING - ASSEMBLY INSTRUCTIONS



SINGLE SIDED INITIAL BAY

1. Place one Sidewall on to the floor with the holes facing upwards.
2. Insert 2 clips into the rectangular slots at both the top and bottom to accept the shelves. Place the shelves onto the clips, both top and bottom.
3. Position the second Sidewall to accept the other end of the shelf and repeat stage 2.
- 4a. If using Back bracing, secure 2 together with the plastic drive fastener to form an "X" and position this at the top of the bay and fasten using the plastic drive fasteners into 2 holes on each Sidewall. Repeat this for the second pair of back bracing at the bottom of the Sidewalls. The bracing strips should be positioned outside the "T". The drive fasteners go in from the front.
- 4b. If using Back Sheets, position the half height back sheet to pick up with the top holes in the Sidewall and secure with the plastic drive fasteners at the top. The back sheets go inside the "T", the drive fasteners go in from the front. Make sure the Back sheets are the correct way up (see diagram)

- Clip the plastic H section to the bottom of the sheet and position the other half height back sheet into the H section and onto the bottom of the bay. Secure both back sheets using the plastic drive fasteners (6 for each back).
5. Carefully stand the unit up taking care not to dislodge the shelves.
 6. Place the remaining shelves in the required position.

SINGLE SIDED EXTENSION BAY

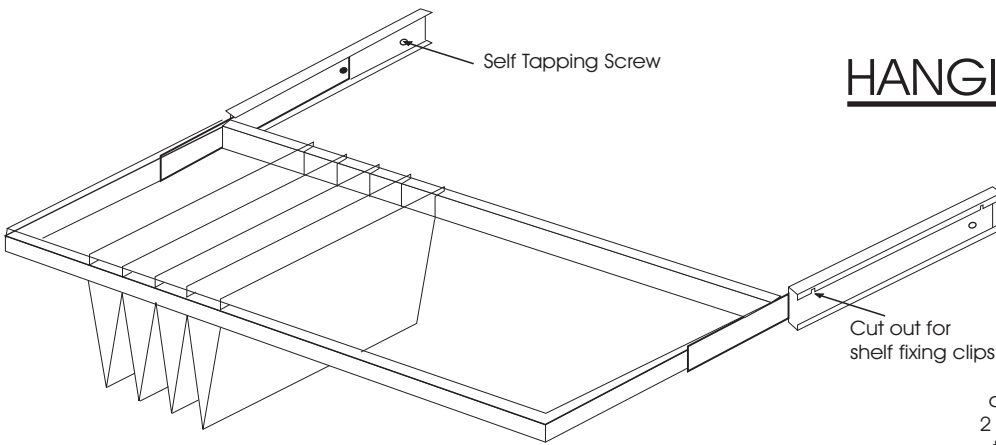
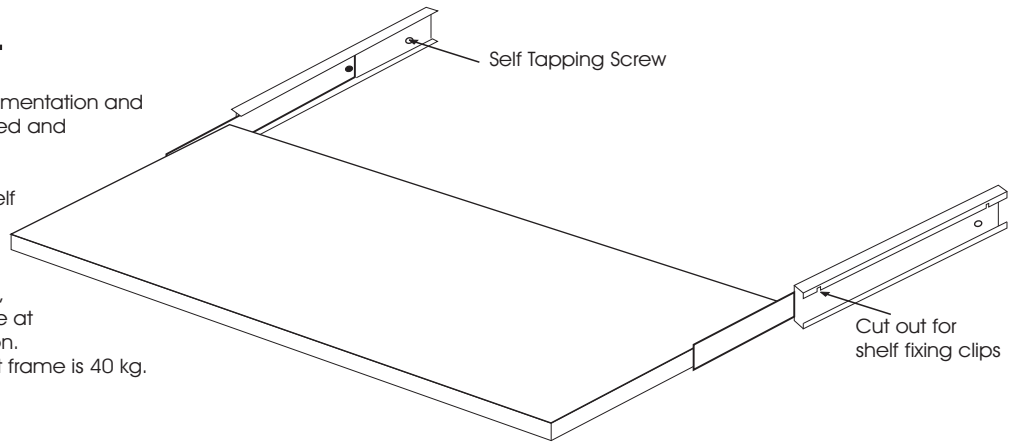
1. Position a Sidewall, a shelf width away from the Sidewall in the assembled bay and position 2 clips top and bottom, level with the clips that are in the initial bay.
2. Position the top and bottom shelves onto the clips in both Sidewalls.
3. Repeat either 4a or 4b to attach the back bracing or back sheets.
4. Place the remaining shelves in the required position.

DECOR END PANELS

PULL OUT SHELF

The PULL OUT SHELF is used to place files, documentation and other literature in front of the user. It is suspended and held by 2 slides. These slides are fixed to an integral box section which inturn has two vertical cut outs which are slipped over the shelf clips in the side wall uprights. This provides a rigid frame fixing.

For added strength and security and to keep the shelf from tilting if overloaded, 2 self tapping screws are fixed from the outside at the rear through the slit and into the box section. The maximum loading capacity of the pull out frame is 40 kg.



HANGING FILE CRADLE

The HANGING FILE CRADLE is used to place files, documentation and other literature in front of the user. It is suspended and held by 2 slides. These slides are fixed to an integral box section which inturn has two vertical cut outs which are slipped over the shelf clips in the side wall uprights. This provides a rigid frame fixing.

For added strength and security and to keep the cradle from tilting if overloaded, 2 self tapping screws are fixed from the outside at the rear through the slit and into the box section.

The maximum loading capacity of the Hanging File Cradle is 40 kg.

DOORSET FITMENT

To attach the doors, offer the door frame up to the front edge of the side / end panel in the middle of the front edge on both sides. Then place the attachment bracket so as to hold the door set to the front edge and with the slot positioned over the end / side panel slot.

Then place a shelf clip through the end / side panel and the attachment bracket and pull the bracket down until it fits into place.

Use 6 attachment brackets per door set. When properly installed the attachment bracket will be offset (below) the side panel slot.

